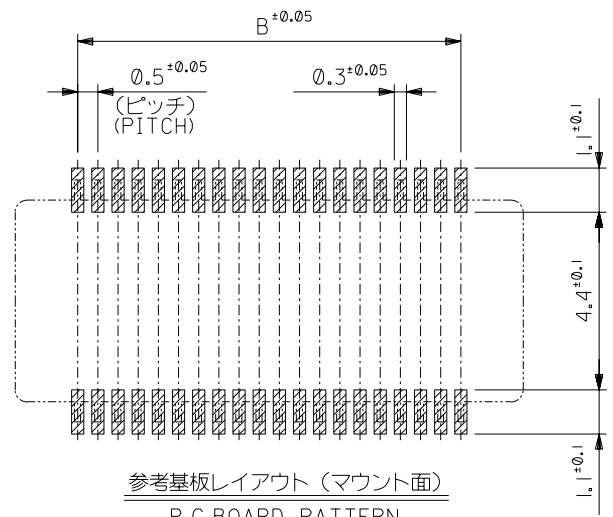
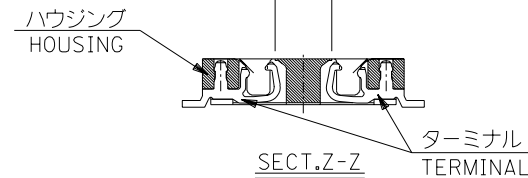
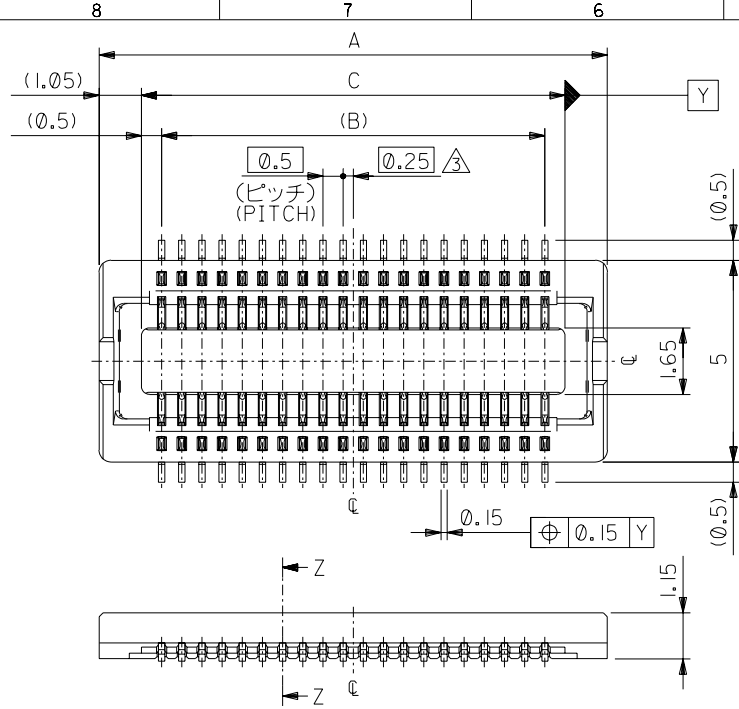


DWG. NO. SD-54722-007



参考基板レイアウト (マウント面)
P.C.BOARD PATTERN
DIMENSION. (REF.)
(MOUNTING AREA)

30極以下品形状
SHAPE OF 30 CIRCUITS OR LESS

注記 NOTES:

- 使用材料 MATERIAL
ハウジング: 液晶ポリマー ガラス充填, UL94V-0 (黒)
HOUSING: LIQUID CRYSTAL POLYMER (GLASS FILLED)
UL94V-0, (COLOR: BLACK)
ターミナル: リン青銅 (t=0.15)
TERMINAL: PHOSPHOR BRONZE (t=0.15)
- メッキ仕様 PLATING
金メッキ 0.25 MICROMETER MINIMUM (コンタクト部)
GOLD 0.25 MICROMETER MINIMUM. (CONTACT AREA)
金メッキ 0.4 MICROMETER MAXIMUM (テール部)
GOLD 0.4 MICROMETER MAXIMUM. (TAIL AREA)
下地メッキ: ニッケルメッキ 1.5 MICROMETER MINIMUM
UNDER PLATING: NICKEL 1.5 MICROMETER MINIMUM

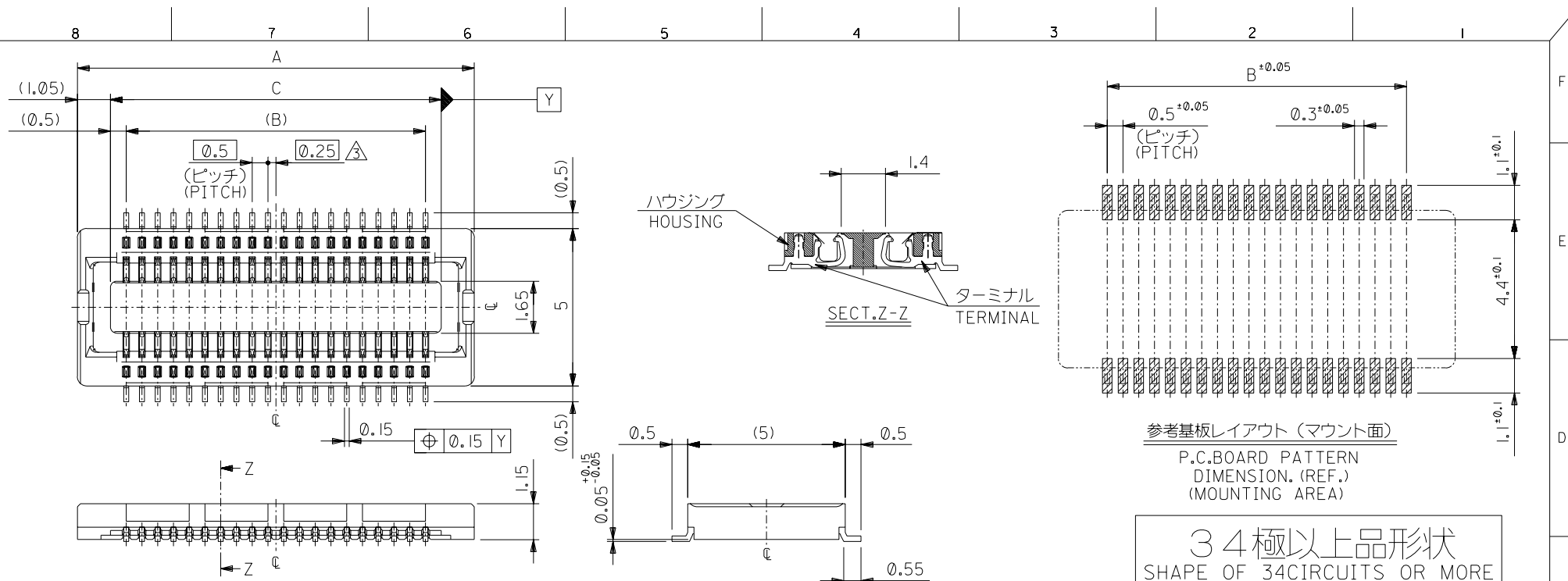
- △3 (全極数/2) = 偶数の場合に適用。
APPLY FOR (CIRCUIT/2)=EVEN.
4 嵌合相手: 55560 シリーズ, 53794 シリーズ
MATE WITH: 55560 SERIES, 53794 SERIES.
5 テール平坦度は, 0.1 MAXIMUM.
TAIL COPLANARITY TO BE 0.1 MAXIMUM.

8.0	7.0	10.1	54722-0301	30
6.5	5.5	8.6	54722-0241	24
6.0	5.0	8.1	54722-0221	22
5.5	4.5	7.6	54722-0201	20
4.5	3.5	6.6	54722-0161	16
C	B	A	MATERIAL. NO	極数 CIRCUIT

DO NOT SCALE DRAWING

②64NO. DRAWN: CH'K: APPR: ②63NO. DRAWN: CH'K: APPR: REVISED ②62NO. J2003-2517 DRAWN: S.AIHARA '03/03/31 CH'K: M.SASAO APPR: M.SASAO REVISED ②61NO. J2003-1929 DRAWN: T.YASUI '03/11/23 CH'K: T.IITO APPR: T.IITO REVISED ②60NO. J2003-1468 DRAWN: T.YASUI '02/11/25 CH'K: T.IITO APPR: T.YAMAGUCHI	MATERIAL 材料 注記参照 SEE NOTES FINISH 仕上げ — WIRE RANGE 適用線径範囲 — INS. RANGE 被覆外径 —	GENERAL TOLERANCES: (UNLESS SPECIFIED) 一般公差 10 UNDER 未満 ±0.2 10 OVER 30 UNDER 未満 ±0.25 30 OVER 以上 ±0.3 ANGLE 角度 ±3°	SCALE 1/1 DESIGN UNITS <input checked="" type="checkbox"/> mm <input type="checkbox"/> INCH DRAWN BY & DATE S.AIHARA '00/10/5 CHECKED BY & DATE M.SASAO '03/03/31 APPROVED BY & DATE M.SASAO '03/03/31 CAD FILENAME 54722007.S01	DIMENSIONS: <input type="checkbox"/> mm <input type="checkbox"/> INCH <input checked="" type="checkbox"/> mm ONLY SHT 2 REV 2 TITLE: 0.5 B-To-B Conn Rec HOUSING Assy (Hgt±1.5mm) MOLEX MOLEX INCORPORATED	MODEL NO. 54722-*** DIMENSIONS: <input type="checkbox"/> mm <input type="checkbox"/> INCH <input checked="" type="checkbox"/> mm ONLY SHT 2 REV 2 TITLE: 0.5 B-To-B Conn Rec HOUSING Assy (Hgt±1.5mm) MOLEX MOLEX INCORPORATED	MATERIAL NO. SEE CHART DRAWING NO. SD-54722-007 SHEET NO. 1 OF 2 SIZE B								
							REVISED ②60NO. J2003-1468 DRAWN: T.YASUI '02/11/25 CH'K: T.IITO APPR: T.YAMAGUCHI	DESCRIPTION 注記参照 SEE NOTES	TITLE: 0.5 B-To-B Conn Rec HOUSING Assy (Hgt±1.5mm)	SHEET NO. 1 OF 2				
							G	F	E	D	C	B	A	
							8	7	6	5	4	3	2	1
							EN-02J(097) MXJ-54							

54722007.S01



注記 NOTES:

1. 使用材料 MATERIAL
 ハウジング: 液晶ポリマー ガラス充填, UL94V-0 (黒)
 HOUSING: LIQUID CRYSTAL POLYMER (GLASS FILLED)
 UL94V-0, (COLOR: BLACK)
 ターミナル: リン青銅 (t=0.15)
 TERMINAL: PHOSPHOR BRONZE (t=0.15)
2. メッキ仕様 PLATING
 金メッキ 0.25 MICROMETER MINIMUM (コンタクト部)
 GOLD 0.25 MICROMETER MINIMUM. (CONTACT AREA)
 金メッキ 0.4 MICROMETER MAXIMUM (テール部)
 GOLD 0.4 MICROMETER MAXIMUM. (TAIL AREA)
 下地メッキ: ニッケルメッキ 1.5 MICROMETER MINIMUM
 UNDER PLATING: NICKEL 1.5 MICROMETER MINIMUM

34極以上品形状
 SHAPE OF 34 CIRCUITS OR MORE

- △ (全極数/2) = 偶数の場合に適用。
 APPLY FOR (CIRCUIT/2)=EVEN.
 4 嵌合相手: 55560 シリーズ, 53794 シリーズ
 MATE WITH: 55560 SERIES, 53794 SERIES.
 5 テール平坦度は、0.1 MAXIMUM.
 TAIL COPLANARITY TO BE 0.1 MAXIMUM.

20.5	19.5	22.6	54722-0801	80
15.5	14.5	17.6	54722-0601	60
13.0	12.0	15.1	54722-0501	50
12.0	11.0	14.1	54722-0461	46
10.5	9.5	12.6	54722-0401	40
9.0	8.0	11.1	54722-0341	34
C	B	A	MATERIAL. NO	極数 CIRCUIT

DO NOT SCALE DRAWING

64 NO. DRWN: CH'K: APPR: 63 NO. DRWN: CH'K: APPR: 62 NO. DRWN: CH'K: APPR: 61 NO. DRWN: CH'K: APPR:	REVISED 60 NO. J2003-2517 DRWN: S.AIHARA '02/03/31 CH'K: M.SASAO APPR: M.SASAO	MATERIAL 材料 注記参照 SEE NOTES	GENERAL TOLERANCES: (UNLESS SPECIFIED) 一般公差 10 UNDER 未満 ±0.2 10 OVER 以上 30 UNDER 未満 ±0.25 30 OVER 以上 ±0.3		SCALE 1/1 DESIGN UNITS mm INCH	DIMENSIONS: mm INCH SHT 2 REV 2
			WIRE RANGE 適用層線範囲 INS. RANGE 被覆外径	DRAWN BY & DATE S.AIHARA '01/02/13 CHECKED BY & DATE M.SASAO '03/03/31 APPROVED BY & DATE M.SASAO '03/03/31 CAD FILENAME 54722007.S02	TITLE: 0.5 B-To-B Conn Rec HOUSING Assy (Hgt=1.5mm) MOLEX INCORPORATED	MATERIAL NO. SEE CHART

DWG. NO. SD-54722-010

F

D

V

C

B

DO NOT SCALE DRAWING

8 7 6 5 4 3 2 1

F

E

D

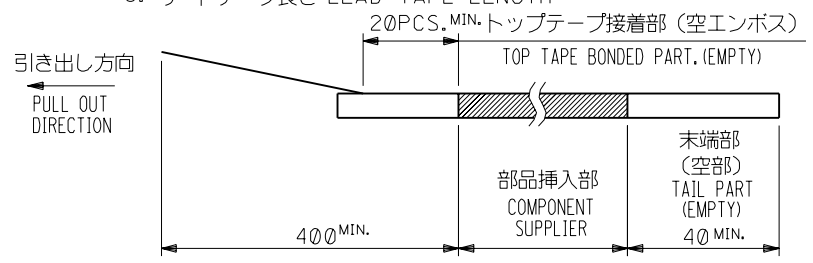
C

B

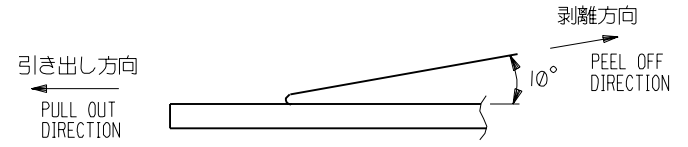
A

NOTES

- 製品詳細寸法については図面 SD-54722-007 を参照下さい。
RE DETAILED DIMENSION, SEE SD-54722-007
- 梱包数量：2000個/リール
NUMBER OF CONNECTORS：2000PCS/REEL
- リードテープ長さ LEAD TAPE LENGTH

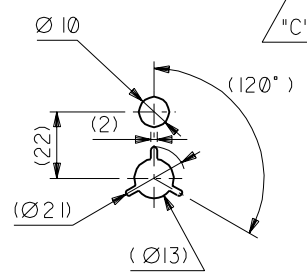
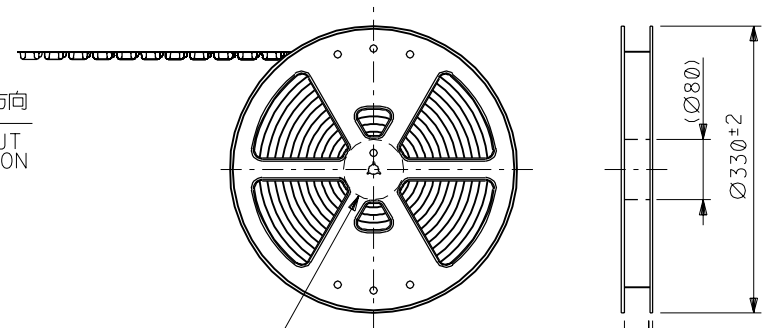


- トップテープの剥離強度：0.1N ~ 0.7N(10.2gf ~ 71.4gf)
(剥離方向は下図参照)
尚、本規格値は出荷時に適用。(但し、輸送時に剥離が発生しないこと。)
PEELING OFF FORCE OF TOP TAPE：0.1N ~ 0.7N(10.2gf ~ 71.4gf)
(PEELING DIRECTION AS SHOWN IN FOLLOWING FIG.)
THIS REQUIREMENT SHOULD BE APPLIED AT SHIPMENT.
PEEL OFF SHOULD NOT BE ALLOWED, DURING TRANSPORTATION.



- 材料(MATERIAL)
キャリアテープ：ポリプロピレン (PP)
CARRIER TAPE：POLYPROPYLENE (PP)
トップテープ：PET, PE, PEF
TOP TAPE：PET, PE, PEF
リール：ポリスチレン (PS) <リサイクル材を含む>
REEL：POLYSTYRENE (PS) <RECYCLE MATERIAL CONTAINED>

引き出し方向
PULL OUT DIRECTION



DETAIL "C"

064NO. DRAWN: CHK'K: APPR: 063NO. DRAWN: CHK'K: APPR: 062NO. DRAWN: CHK'K: APPR:	REVISED: 01/09/19 061NO. J2002-0650 DRAWN: R. TAKEUCHI CHK'K: T. ITO APPR: T. YAMAGUCHI PROPOSED 060NO. JC2001-0402 DRAWN: S. AIHARA 00/11/28 CHK'K: T. ITO APPR: M. FUKUSHIMA	MATERIAL 材料 注記参照 SEE NOTES FINISH 仕上げ // WIRE RANGE 適用電線範囲 // INS. RANGE 被覆外径 //	MODEL NO. 54722-***8 DIMENSIONS: <input type="checkbox"/> mm <input type="checkbox"/> INCH <input checked="" type="checkbox"/> mm ONLY SHT REV BEVISE ON CAD ONLY	GENERAL TOLERANCES: (UNLESS SPECIFIED) 一般公差 10 UNDER 未満 ±0.2 10 OVER 30 UNDER 未満 ±0.25 30 OVER 以上 ±0.3 ANGLE 角度 ±3°	SCALE // DESIGN UNITS <input checked="" type="checkbox"/> mm <input type="checkbox"/> INCH DRAWN BY & DATE S. AIHARA 00/11/28 CHECKED BY & DATE T. ITO 01/09/19 APPROVED BY & DATE T. YAMAGUCHI 01/09/19 CAD FILENAME 54722010.S01	TITLE: 0.5 B-To-B Conn Rec Assy (Hgt=1.5) Embstp Pkg MOLEX MOLEX INCORPORATED	MATERIAL NO. SEE CHART DRAWING NO. SD-54722-010 SHEET NO. 1 OF 3 SIZE B
			8 	7 	6 	5 	4

54722010.S01

DWG. NO. SD-54722-010

F

D

C

B

DO NOT SCALE DRAWING

8 7 6 5 4 3 2 1

F

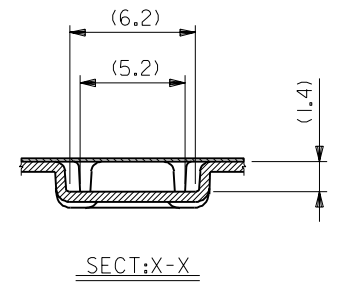
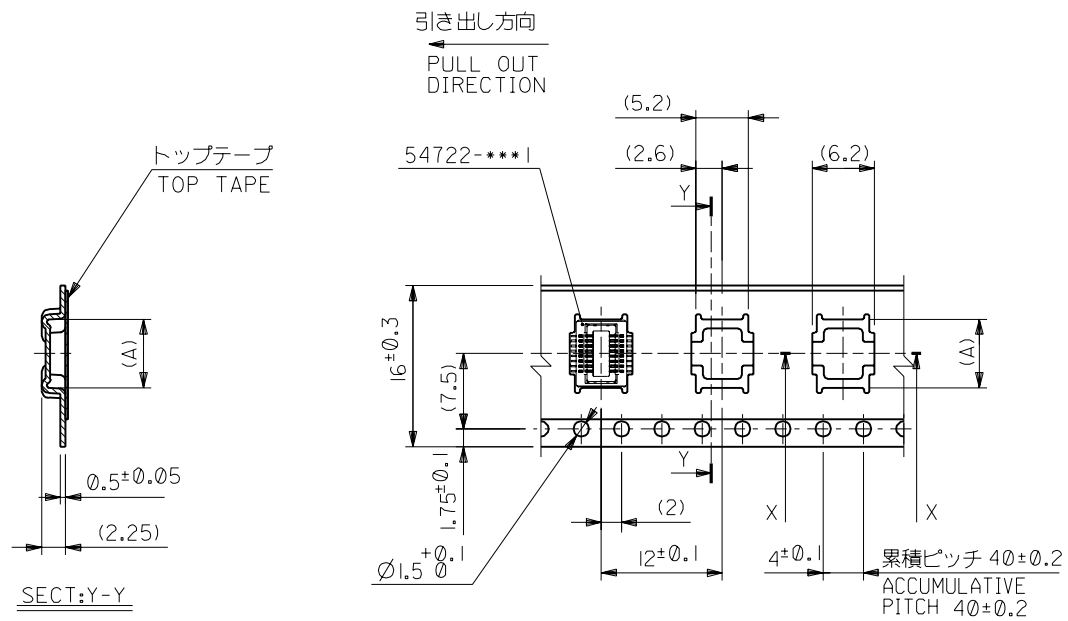
E

D

C

B

A



16mm幅キャリアテープ
16mm WIDTH CARRIER TAPE

16	17.5	6.8	54722-0168	16
キャリアテープ幅 CARRIER TAPE WIDTH		B	(A)	極数 CIRCUIT
MODEL NO.		54722-***8		DIMENSIONS:
				SHT REV

164 NO. DRWN: CH'K: APPR:	163 NO. DRWN: CH'K: APPR:	162 NO. DRWN: CH'K: APPR:	REVISED '01/09/19 161 NO. J2002-0650 DRWN: R.TAKEUCHI CH'K: T.IITO APPR: T.YAMAGUCHI	PROPOSED 160 NO. JC2001-0402 DRWN: S.AIHARA '00/11/28 CH'K: T.IITO APPR: M.FUKUSHIMA	MATERIAL 材料 SHEET 1 OF 3 参照 REFER TO SHEET 1 OF 3
			A	0	FINISH 仕上げ //
					WIRE RANGE 適用電線範囲 //
					INS. RANGE 被覆外径 //

GENERAL TOLERANCES: (UNLESS SPECIFIED) 一般公差		SCALE 1/1	DESIGN UNITS 2mm 1/8 INCH	FORWARD ANGLE PROJECTION	TITLE: 0.5 B-To-B Conn Rec Assy (Hgt=1.5) Embstp Pkg
10 UNDER 未満	+0.2	DRAWN BY & DATE S.AIHARA '00/11/28		MATERIAL NO. SD-54722-010	
10 OVER 以上 30 UNDER 未満	+0.25	CHECKED BY & DATE T.IITO '01/09/19		SHEET NO. 2 OF 3	
30 OVER 以上	+0.3	APPROVED BY & DATE T.YAMAGUCHI '01/09/19		SIZE B	
ANGLE 角度	+3°	CAD FILENAME 54722010.S02		MATERIAL NO. SD-54722-010	

MOLEX INCORPORATED THIS DRAWING CONTAINS INFORMATION THAT IS PROPRIETARY TO MOLEX INCORPORATED AND SHOULD NOT BE USED WITHOUT WRITTEN PERMISSION.					
--	--	--	--	--	--

DWG. NO. SD-54722-010

F

D

V

C

B

DO NOT SCALE DRAWING

8 7 6 5 4 3 2 1

F

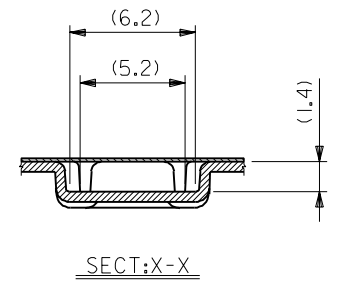
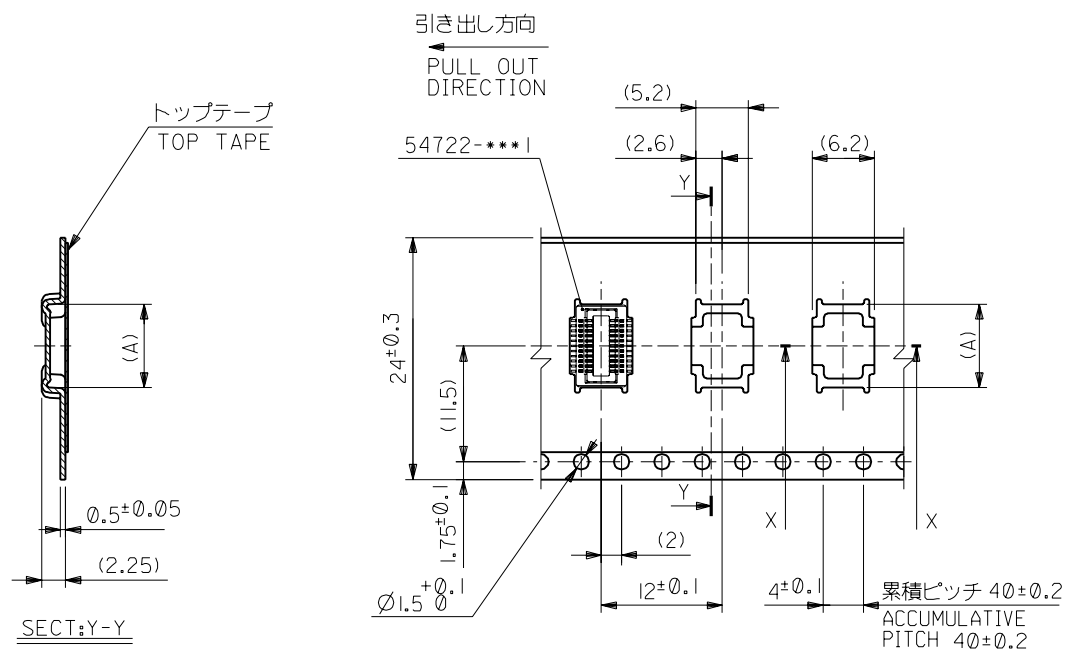
E

D

C

B

A



24mm幅キャリアテープ
24mm WIDTH CARRIER TAPE

24	25.5	10.3	54722-0308	30
		8.3	54722-0228	22
キャリアテープ幅 CARRIER TAPE WIDTH		B	(A)	極数 CIRCUIT
MODEL NO.		54722-***8		DIMENSIONS: SHT REV

064NO. DRWN: CH'K: APPR:	063NO. DRWN: CH'K: APPR:	062NO. DRWN: CH'K: APPR:	REVISED: 01/09/19 061NO. J2002-0650 DRWN: R.TAKEUCHI CH'K: T.IITO APPR: T.YAMAGUCHI	PROPOSED 060NO. JC2001-0402 DRWN: S.AIHARA 00/11/28 CH'K: T.IITO APPR: M.FUKUSHIMA	MATERIAL 材料 SHEET 1 OF 3 参照 REFER TO SHEET 1 OF 3
			A	0	FINISH 仕上げ //
					WIRE RANGE 適用電線範囲 //
					INS. RANGE 被覆外径 //

GENERAL TOLERANCES: (UNLESS SPECIFIED) 一般公差		SCALE 1/1	DESIGN UNITS 25.4mm 1/2 INCH	PROJECTION 2ND ANGLE	TITLE: 0.5 B-To-B Conn Rec Assy (Hgt=1.5) Embstp Pkg
10 UNDER 未満	+0.2	DRAWN BY & DATE S.AIHARA 00/11/28		APPROVED BY & DATE T.YAMAGUCHI 01/09/19	
10 OVER 以上 30 UNDER 未満	+0.25	CHECKED BY & DATE T.IITO 01/09/19		MATERIAL NO. SD-54722-010	
30 OVER 以上	+0.3	CAD FILENAME 54722010.S03		DRAWING NO. SD-54722-010	
ANGLE 角度	+3°	MATERIAL NO. SEE CHART		SHEET NO. 3 OF 3	

THIS DRAWING CONTAINS INFORMATION THAT IS PROPRIETARY TO MOLEX INCORPORATED AND SHOULD NOT BE USED WITHOUT WRITTEN PERMISSION.				SIZE B
--	--	--	--	--------